



### »» Features

- Low profile Micro ISO Automotive relay.
- Optional to be equipped with diode or resistor.
- High Rating up to 25A.
- High temperature withstand up to 105°C.
- Both available PCB terminal and quick connect terminal.
- Comply with RoHS-Directive 2002/95/EC, and ELV-Directive 2000/53/EC.

### »» Type List

Terminal style	Contact form	Designation (provided with)	Enclosure style		
			Dust cover	Flux tight	Sealed type
Micro ISO Footprint	1A (SPNO)	-----	108-1AH-D	108-1AH-C	108-1AH-V
		Resistor	108-1AH-D-R1	108-1AH-C-R1	108-1AH-V-R1
		Diode	108-1AH-D-D1	108-1AH-C-D1	108-1AH-V-D1

### »» Ordering Information

108 - 1A H - D - □  
 1      2    3      4      5

- |                                    |  |
|------------------------------------|--|
| 1. 108 -- Basic series designation | 5. Blank -- Standard type  |
| 2. 1A -- Single pole normally open | R1 -- Coil parallel with 1/2W resistor for 12V 1.1K Ω                  |
| 3. H -- Contact material AgSnO     | D1 -- Coil parallel with diode 1N4007 the positive pole on #1 terminal |
| 4. D -- Dust cover                 |  |
| C -- Flux tight                    |  |
| V -- Sealed type                   |  |

### »» Contact Rating

Resistive	NO : 25A 14VDC, 100K ops.
-----------	---------------------------

### »» Coil Rating (DC)

Rated voltage (V)	Rated current ±10 % at 23°C (mA)	Coil resistance ±10 % at 23°C (Ω)	Max. continuous voltage at 80°C <sup>(1)</sup>	Pick up voltage(Max) at 23°C	Drop out voltage(Min) at 23°C	Power consumption at rated voltage
12	66	180	16V	8.0V	0.6V	approx. 0.8W

Note : (1) With 20A contact current

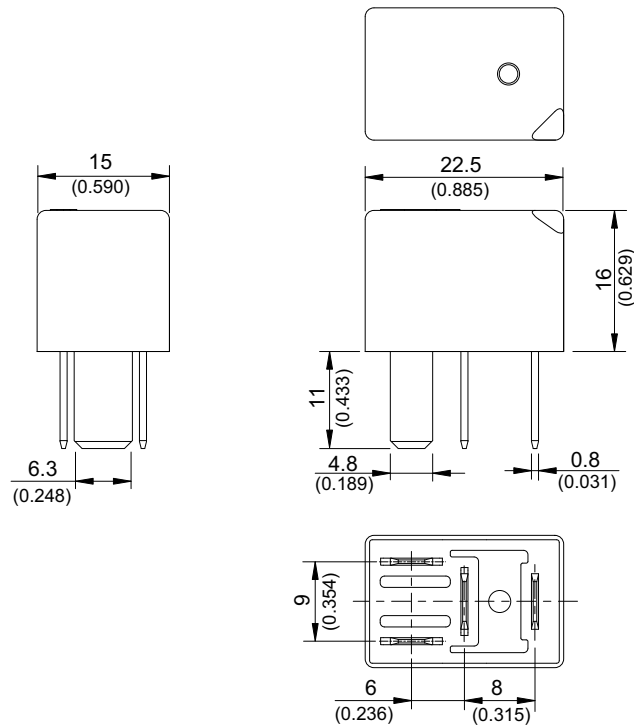
### »» Specification

Contact material	AgSnO alloy
Contact voltage drop <sup>(1)</sup>	Typ. 50mV at 10A
Operate time <sup>(1)</sup>	10 ms MAX
Release time <sup>(1)</sup>	10 ms MAX
Insulation resistance <sup>(1)</sup>	20 MΩ Min. (DC 500V)

Dielectric strength <sup>(1)</sup>	Between open contact	: AC 500V, 50/60Hz 1 min.
	Between contact and coil	: AC 500V, 50/60Hz 1 min.
Vibration resistance	Operating extremes	10~500Hz , 5.0G
	Damage limits	10~500Hz , 5.0G
Shock resistance	Operating extremes	10G
	Damage limits	100G
Life expectancy	Mechanical	1,000,000 operations (frequency 18,000 operations/hr)
Temperature range	Operating	-40 ~ +105°C (no freezing)
Weight	Approx. 15 g	

Note : (1) initial value

### »» Outline Dimensions



### »» Wiring Diagram BOTTOM VIEW

